

Z192 4" X 3" DOWNSPOUT BOOT



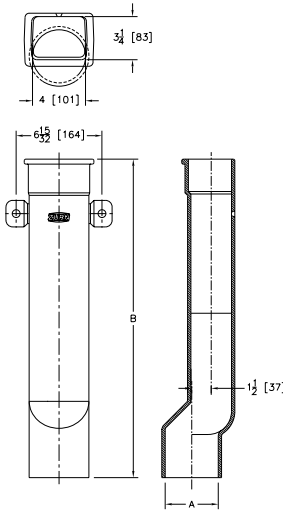
ENGINEERING SPECIFICATION

Zurn Z192 4" x 3" downspout boot features Dura-Coated cast iron body and strap with 1/4" diameter cast holes for flat head bolts.

Product Designation	Dimensions in inches [mm]			Approximate Weight lb [kg]
	Size	A	B	
-12	4 [102] x 3 [76] x 12 [305]	4 [102]	12 [305]	14 [6]
-18	4 [102] x 3 [76] x 18 [457]		18 [457]	20 [9]
-24	4 [102] x 3 [76] x 24 [610]		24 [610]	27 [12]

PREFIXES	DESCRIPTION	PRODUCT DESIGNATION	LIST PRICE
Z192*	D.C.C.I. Body	-12	626.00
		-18	824.00
		-24	1,471.00

OUTLETS (SPECIFY PIPE SIZE IN INCHES AND TYPE OF OUTLET)			
OUTLET TYPE	OUTLET DESIGNATION (PIPE SIZE/OUTLET TYPE)	ADD	
NH	No Hub	4NH	N/C
SUFFIXES			
		ADD	
-CA	Cleanout Access with Plug		678.00
-G	Galvanized Cast Iron		527.00



BEST SELLERS	LIST PRICE
Z192-12	626.00
Z192-12-CA	1,304.00
Z192-18	824.00
Z192-18-CA	1,502.00
Z192-24	1,471.00
Z192-24-CA	2,149.00

Z193 VANDAL-PROOF HOODED VENT CAP



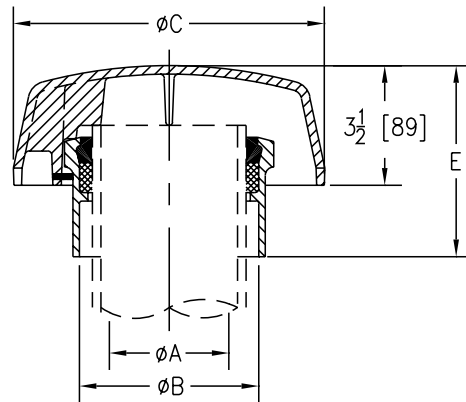
ENGINEERING SPECIFICATION

Zurn Z193 vandal-proof vent cap features Dura-Coated cast iron body and hooded dome cap, vandal-proof securing device.

Dimensions in inches [mm]			Open Area Sq.	Approximate Weight lb [kg]
A	B	C		
1-1/2 [38], 2 [51]	3-1/8 [79]	6-3/8 [162]	2 : 1	9 [4]
3 [76]	4-3/16 [106]	7-5/8 [194]		12 [5]
4 [102]	5-1/4 [133]	9-1/8 [232]		14 [6]
5 [127]	6-3/16 [157]	10-1/8 [257]		16 [7]
6 [152]	7-3/16 [183]	11-5/8 [295]		18 [8]

PREFIXES	DESCRIPTION	PIPE SIZE	LIST PRICE
Z193*	D.C.C.I. Body and Dome Cap	1-1/2", 2"	417.00
		3"	472.00
		4"	527.00
		5"	618.00
		6"	673.00

OUTLETS (SPECIFY PIPE SIZE IN INCHES AND TYPE OF OUTLET)				
OUTLET TYPE	OUTLET DESIGNATION (PIPE SIZE/OUTLET TYPE)	E BODY HT. DIM.	ADD	
IC	Inside Caulk	1.5IC, 2IC	5-11/16"	N/C
		3IC, 4IC, 5IC, 6IC	5-9/16"	N/C
SUFFIXES				
		ADD		
-G	Galvanized Cast Iron		171.00	



BEST SELLERS	LIST PRICE
Z193-2IC	417.00
Z193-3IC	472.00
Z193-4IC	527.00